

Power Button
Botón de encendido
Bouton d'alimentation

USB-C
USB-C
USB Type-C



LED Bar
Barra LED
Barre LED

Connectivity Indicators
Indicadores de conectividad
Indicateurs de connectivité

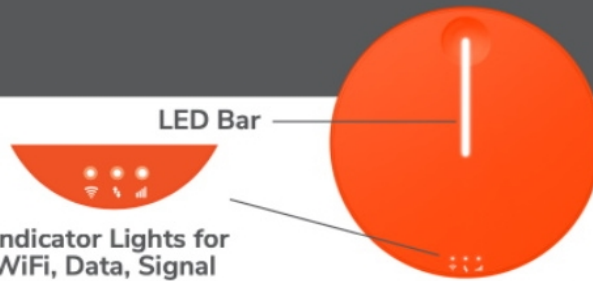


Charging Cable
Cable de carga
Câble de chargement



USB-C → USB-A Adapter
Adaptador USB-C -> USB-A
Adaptateur USB-C -> USB-A

LIGHT STATUS EN

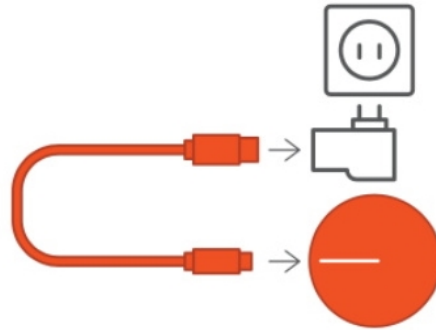


Indicator Lights for WiFi, Data, Signal

Charging in/out	LED bar animates in the direction of charging
Booting up	LED bar animates back and forth until boot up is complete
Ready to use	LED bar and the three indicator lights are white
Daypass waiting to be activated	LED bar flashes consistently until new Daypass is activated
No WiFi plan	LED bar is white with 1 red light at the end of the LED bar
Battery level	Length of LED bar represents the battery level
Firmware Update	The three indicator lights flash red consistently until update is completed
Failed to connect to cellular tower	Signal light is red solid

1 Charge

Charge hotspot with the provided charging cable. Plug the USB-C end into the USB-C port and the USB-A end into a 5V/2A power adapter (power adapter not included).



2 Power On

Press and hold onto the power button for 3 seconds to power on the hotspot.



3 Sign Up

Download the Solis WiFi App on your phone and create an account.



Apple and the Apple logo are trademarks of Apple Inc., registered in the U.S and other countries and regions. App Store is a service mark of Apple Inc. Google Play and the Google Play logo are trademarks of Google LLC.



4 Add Hotspot

Launch Solis WiFi App and follow the setup instructions to add the hotspot onto your account.



5 Buy or Activate WiFi

On the Solis App, visit the 'Shop' page to select a data plan. If you have a prepaid code, you can redeem the code on the same page.



DAYPASSES

24-hours unlimited WiFi



GODATA

High speed data by the Gigabyte



UNLIMITED DATA SUBSCRIPTION

30 days unlimited WiFi, throttle limits apply

6 Connect Other Devices

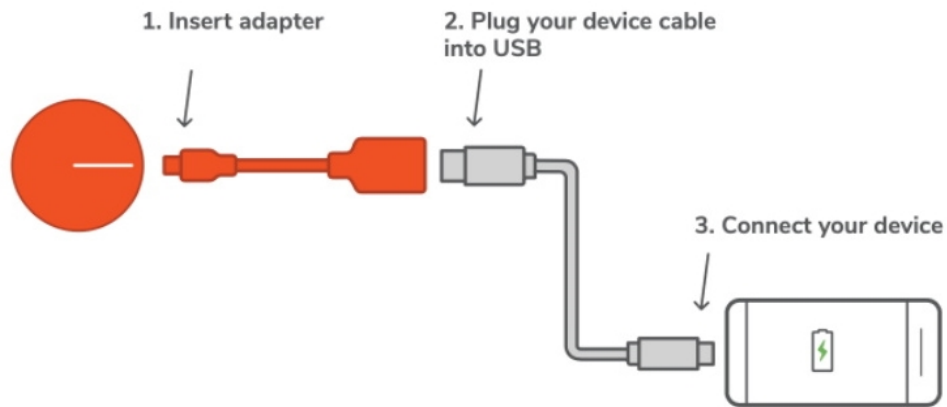
If you want to connect other devices (e.g. laptops and tablets) to Solis WiFi, go to WiFi Settings on your devices and connect using the WiFi name and password printed on the back of the hotspot.



HOW TO USE POWER BANK EN

Charge Devices On-The-Go

1. Insert the USB-C to USB-A adapter into the charging port.
2. Plug your device's charging cable into the USB adapter.
3. Connect your device to the cable to begin charging!



TECH SPECIFICATIONS EN

Name: Solis Lite

Dimensions: Diameter: 88mm Thickness: 23mm

WiFi Connections: up to 10 devices simultaneously

Connectivity: WiFi

WiFi Network: 802.11 b/g/n/a

Networks: FDD-LTE, TDD-LTE, WCDMA

FDD-LTE: Band 1/2/3/4/5/7/8/12/17/18/19/20/25/26/28/71

TDD-LTE: Band 38/39/40/41

WCDMA: Band 1/2/4/5/8

Charging Port: USB Type C

Input Power: 5V/2A

Output Power: 5V/1A

Battery & Power: Built-in rechargeable Li-Ion batteries, 4700 mAh total

Sensors: GPS

Certifications: FCC, CE, RoHS, WEEE, California Prop 65, SIRIM, PSE, RCM

Working Temperature: 14 °F to 131 °F (-10 °C to 55 °C)

We highly recommend using the provided charging cord and incorporated batteries to maximize performance.

Copyright © Simo Holdings, Inc. All rights reserved. This document is intended to provide help and is not a guarantee of any written form.

FCC WARNING EN

This device complies with part 15 of the FCC Rules. Operation is subject to the following two conditions:
(1) This device may not cause harmful interference, and (2) this device must accept any interference received, including interference that may cause undesired operation.

Any Changes or modifications not expressly approved by the party responsible for compliance could void the user's authority to operate the equipment.

This equipment has been tested and found to comply with the limits for a Class B digital device, pursuant to Part 15 of the FCC Rules. These limits are designed to provide reasonable protection against harmful interference in a residential installation. This equipment generates uses and can radiate radio frequency energy and, if not installed and used in accordance with the instructions, may cause harmful interference to radio communications. However, there is no guarantee that interference will not occur in a particular installation. If this equipment does cause harmful interference to radio or television reception, which can be determined by turning the equipment off and on, the user is encouraged to try to correct the interference by one or more of the following measures:

- Reorient or relocate the receiving antenna.
- Increase the separation between the equipment and receiver.
- Connect the equipment into an outlet on a circuit different from that to which the receiver is connected.
- Consult the dealer or an experienced radio/TV technician for help.

Specific Absorption Rate (SAR) information:

This product meets the government's requirements for exposure to radio waves. The guidelines are based on standards that were developed by independent scientific organizations through periodic and thorough evaluation of scientific studies. The standards include a substantial safety margin designed to assure the safety of all persons regardless of age or health.

FCC RF Exposure Information and Statement The SAR limit of USA (FCC) is 1.6 W/kg averaged over one gram of tissue. This device was tested for typical body-worn operations with the back of the handset kept 5mm from the body. To maintain compliance with FCC RF exposure requirements, use accessories that maintain a 5mm separation distance between the user's body and the back of the handset. The use of belt clips, holsters and similar accessories should not contain metallic components in its assembly. The use of accessories that do not satisfy these requirements may not comply with FCC RF exposure requirements, and should be avoided.

Body-worn Operation

This device was tested for typical body-worn operations. To comply with RF exposure requirements, a minimum separation distance of 5mm for body worn must be maintained between the user's body, including the antenna. Third-party belt-clips, holsters, and similar accessories used by this device should not contain any metallic components. Body-worn accessories that do not meet these requirements may not comply with RF exposure requirements and should be avoided. Use only the supplied or an approved antenna.



CE STATEMENT EN

1. Risk of explosion if battery is replaced by an incorrect type. Dispose of used batteries according to the instructions.
2. The product shall be connected to a USB type C interface of version USB2.0 or higher.
3. The operating temperature of the EUT can't exceed 55°C and shouldn't be lower than -10°C.
4. The device complies with RF specifications when the device used at 5mm from your body.
5. Hereby, Simo Holdings, Inc. declares that this product is in compliance with essential requirements and other relevant provisions of Directive 2014/53/EU. This product is allowed to be used in all EU member states.

24/7 Customer Support

Atención al cliente 24/7

Service client 24 h/24, 7 j/7

Scan QR code for more languages

Escanea el código QR para más idiomas

Scannez le code QR pour plus de langues

Live chat at simo.co/livechat

Chat en vivo disponible en simo.co/livechat

Chat en direct sur simo.co/livechat

Toll Free Call: +1-855-759-7626

Llamada gratuita: +1-855-759-7626

Appel non surtaxé: +1-855-759-7626

