



**Wireless Rain Gauge with Indoor /  
Outdoor Thermometer**

**Model: RGR126**

**USER MANUAL**



# Wireless Rain Gauge with Indoor / Outdoor Thermometer Model: RGR126 User Manual

## CONTENTS

- Introduction..... 2**
- Product Overview ..... 2**
  - Front View ..... 2
  - Back View..... 3
  - LCD Display ..... 3
  - Rain Gauge ..... 4
  - Remote Thermo Sensor ..... 4
- Getting Started..... 5**
  - Main Unit ..... 5
  - Rain Gauge ..... 5
  - Thermo Sensor ..... 6
  - Data Transmission ..... 7
- Low Battery Warning..... 8**
- Clock / Calendar Setting ..... 8**
  - Set Clock and Calendar ..... 8
- Rainfall..... 8**
  - Rainfall History ..... 8
  - Total Rainfall..... 9

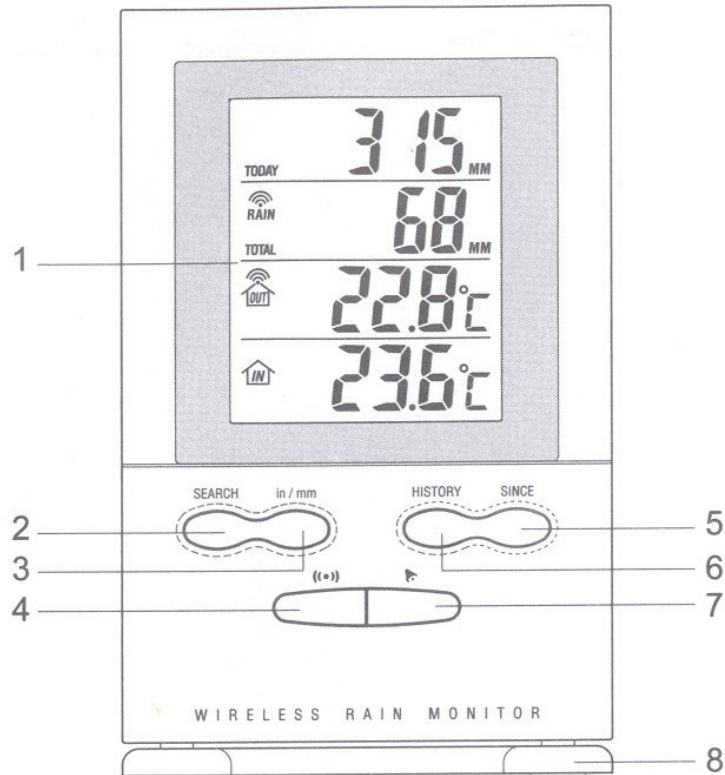
- Rainfall Alarm ..... 9
- Temperature ..... 9
- Reset..... 9
- Precautions ..... 9
- Technical Specifications ..... 11
- About Oregon Scientific ..... 11
- EU-Declaration of Conformity ..... 12
- FCC Statement..... 12
- Declaration of Conformity..... 13

## INTRODUCTION

Congratulations on purchasing the Oregon Scientific™ Wireless Rain Gauge with Indoor / Outdoor Thermometer (RGR126).

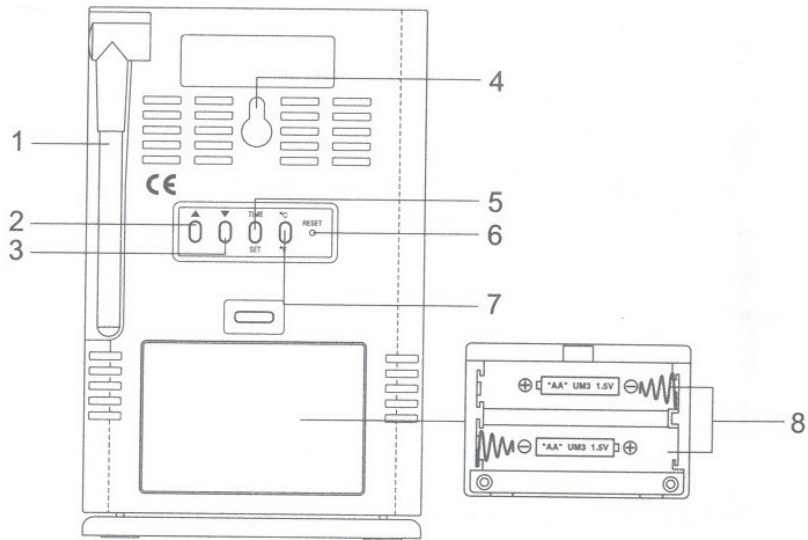
## PRODUCT OVERVIEW

### FRONT VIEW



1. **FOUR-LINE LCD DISPLAY:** For displaying the total rainfall, current rainfall or rainfall history, indoor / outdoor temperature and clock / calendar
2. **SEARCH:** Press and hold to enforce a search for the rain gauge and remote thermo sensor
3. **in-mm:** Selects between inch and millimeter rainfall measurement
4. **((.)):** Displays the rain alarm setting; press and hold to enter the rain alarm setting mode
5. **SINCE:** Toggles between displaying the start day or start year for total rainfall; press and hold to clear the previous rainfall start time and reset the rainfall counter to start again
6. **HISTORY:** Toggles between rainfall history and daily rainfall
7. **▶:** Enables or disables the rainfall alarm
8. **Removable table stand:** For securing the main unit on a flat surface

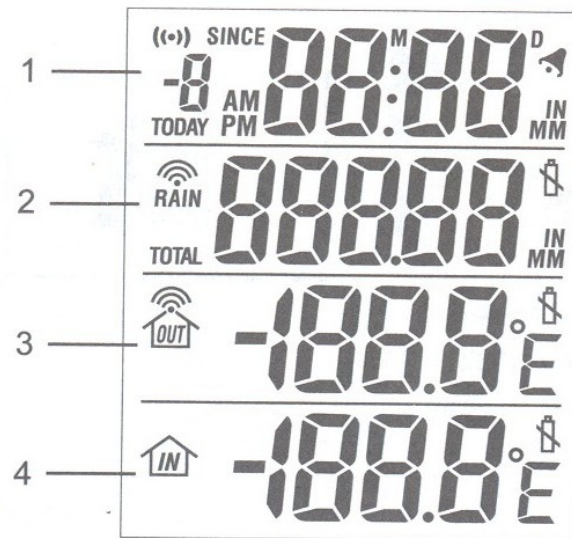
**BACK VIEW**



1. **ANTENNA:** Receives radio signal from rain gauge and remote thermo sensor
2. **▲ :** Increases setting values; press and hold for rapid increase
3. **▼ :** Decreases setting values; press and hold for rapid decrease
4. Wall mount hole
5. **TIME / SET:** Toggles among the time, day, year and rainfall display; press and hold to enter the time setting mode
6. **RESET:** Returns all settings to their default values

7. **°C / °F button:** Selects between °C and °F
8. Battery compartment

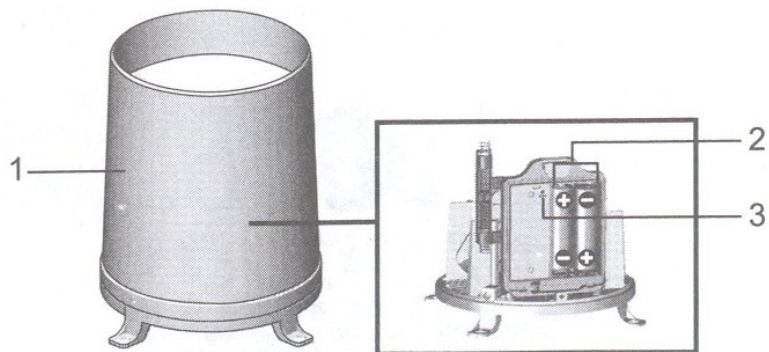
**LCD DISPLAY**



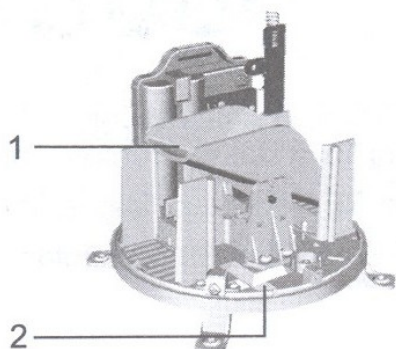
1. Today's Rainfall, Rainfall History, Rainfall Alarm, Start Date of Total Rainfall Record, Time / Date
2. Rain Gauge RF Reception Status, Total Rainfall
3. Thermo RF Reception Status, Outdoor Temp
4. Indoor Temp

## RAIN GAUGE

### Base and funnel:

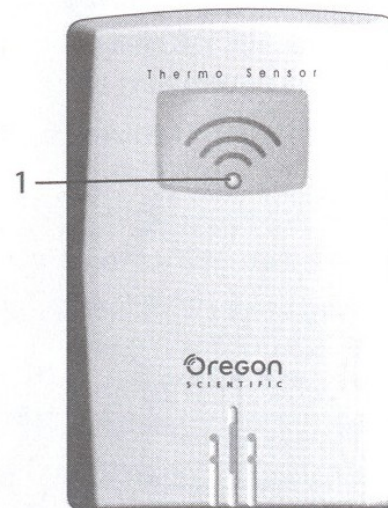


1. Rain gauge
2. Battery compartment
3. **RESET** button

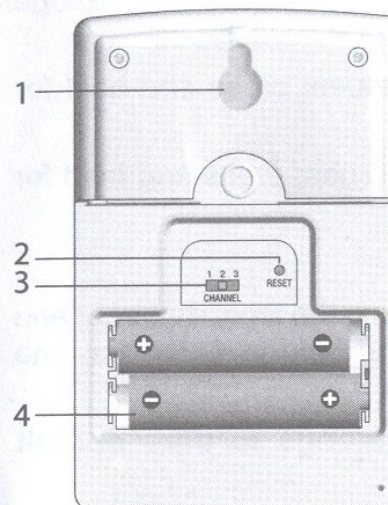


1. Funnel
2. Indicator

## REMOTE THERMO SENSOR



1. LED



1. Wall mount hole
2. **RESET** hole
3. **CHANNEL** switch (1-3)
4. Battery compartment

## GETTING STARTED

Position the main unit, rain gauge, and thermo sensor within effective range:

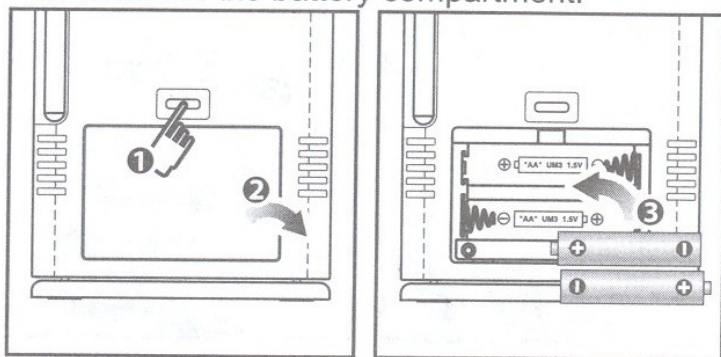
- Rain gauge - 100 meters / 328 feet
- Thermo sensor - 100 meters / 328 feet

**IMPORTANT** It is recommended that you follow the sequence below when setting up the units:

1. Set up the main unit.
2. Set up the rain gauge, then press and hold **SEARCH** on the main unit and wait until you receive a signal.
3. Set up the thermo sensor, then press and hold **SEARCH** on the main unit and wait until you receive a signal.
4. In the event that you do not obtain a signal from a remote unit please repeat the process above.

### MAIN UNIT

1. Insert the batteries, matching the polarity (+ and -) as shown in the battery compartment.



2. Press **RESET**, or press and hold **SEARCH** on the main unit to initiate operation. The reception icon on the main unit will blink while it is searching for the sensor or rainfall gauge.

**NOTE** Every time the battery in the main unit is changed, repeat installation before use.

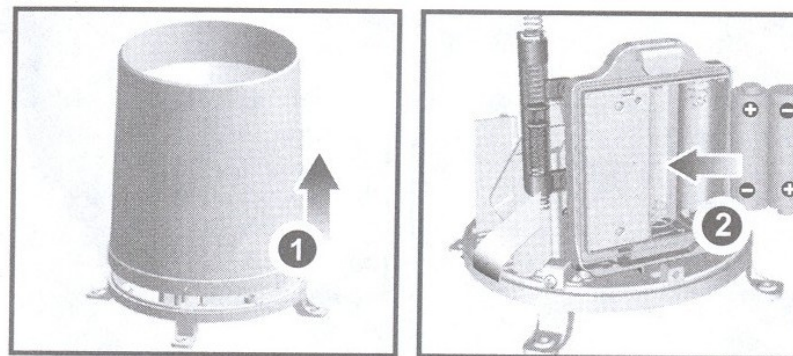
### RAIN GAUGE

The rain gauge collects rain and takes readings of rainfall rate and the total rainfall over a period of time. The sensor can remotely transmit data to the base station.

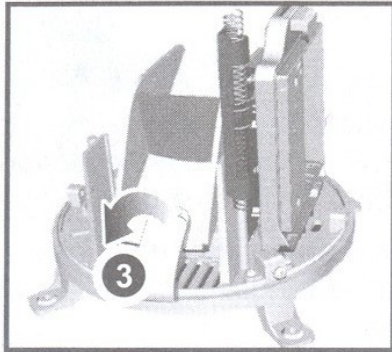
The base station and rain gauge should be positioned within an effective range: about 100 meters (328 feet) in an open area.

The rain gauge should be mounted horizontally about 1 meter (3 feet) from the ground in an open area away from trees or other obstructions to allow rain to fall naturally for an accurate reading.

**To set up the Rain Gauge:**



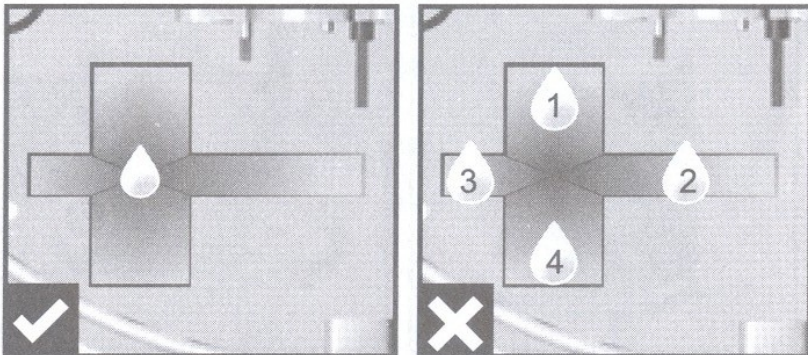
1. Remove screws and slide the cover off in an upwards motion.
2. Insert the batteries (2 x UM-3 / AA), matching the polarities (+ / -). Press **RESET** after each battery change.



3. Remove the fibre tape.

**To ensure a level plane:**

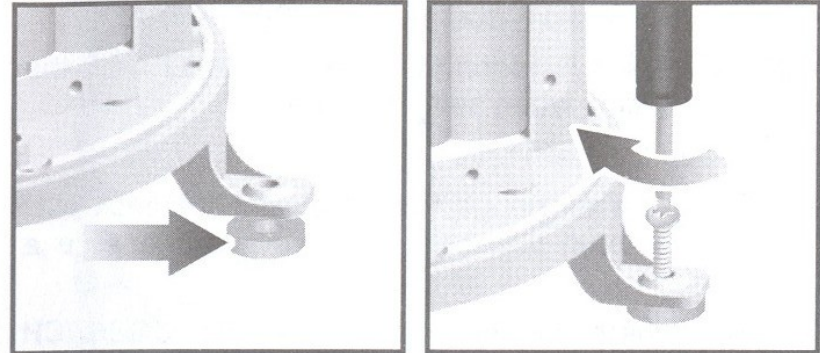
Put a few drops of water on the cross at the base of the funnel to check the horizontal level.



Water will pool to the center of the cross when the rain gauge is level.

If water remains on 1-4, the gauge is not horizontal.

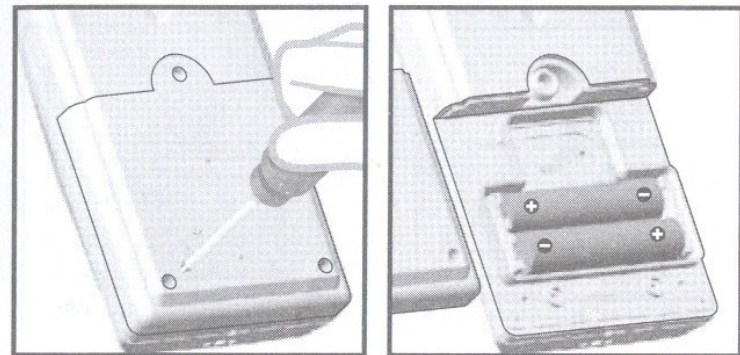
If necessary, adjust the level using the screw.



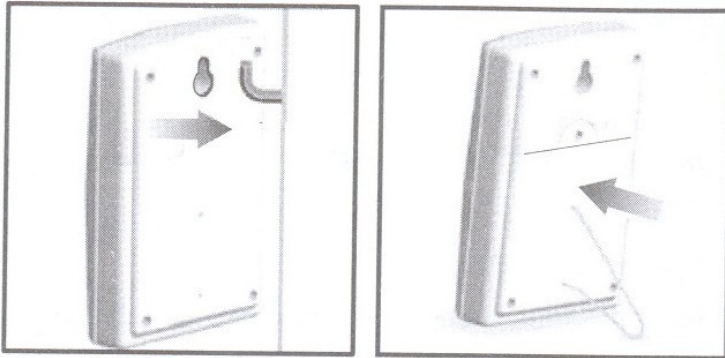
**NOTE** For best results, ensure the base is horizontal to allow maximum drainage of any collected rain.

**THERMO SENSOR**

1. Insert the batteries, matching the polarity (+ and -) as shown in the battery compartment.



2. Set the channel switch to any channel. The switch is located in the battery compartment.
3. Press **RESET** on the sensor.
4. Close the remote sensor battery compartment.
5. Secure the sensor in the desired location using the wall mount or table stand.



**For best results:**

- Insert the batteries before you mount the sensor.
- Place the sensor out of direct sunlight and moisture.
- Do not place the sensor more than 100 meters (328 feet) from the main (indoor) unit.
- Position the sensor so that it faces the main (indoor) unit, minimizing obstructions such as doors, walls, and furniture.
- Place the sensor in a location with a clear view to the sky, away from metallic or electronic objects.
- Position the sensor close to the main unit during cold winter months as below-freezing temperatures

may affect battery performance and signal transmission.

You may need to experiment with various locations to get the best results.



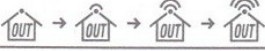


Standard Alkaline batteries contain significant amounts of water. Because of this they will freeze in low temperatures of approximately -12°C (10°F). Disposable Lithium batteries have a much lower threshold for temperature with an estimated freezing range of below -40°C (-40°F).

Wireless ranges can be impacted by a variety of factors such as extremely cold temperatures. Extreme cold may temporarily reduce the effective range between the sensor and the base station. If the unit's performance fails due to low temperature, the unit will resume proper functioning as the temperature rises to within the normal temperature range (i.e. no permanent damage will occur to the unit due to low temperatures).

**DATA TRANSMISSION**

Data is sent from the remote thermo sensor approx. every 78 seconds and every 94 seconds from the rain gauge. The reception icon shows the status - see table.



| THERMO SENSOR   | RAIN GAUGE   | DESCRIPTION  |
|---|--|--------------|
| <br>RAIN | <br>RAIN  | Searching    |
|          | RAIN →  →  | Connected    |
| RAIN  | RAIN   | Disconnected |


If without obvious reason the main unit display shows that the thermo sensor or rainfall connector is disconnected, press and hold **SEARCH** to enforce an immediate search.

**If that fails, check:**

- The remote rain gauge and thermo sensor are still in place.
- The batteries of the main unit, rain gauge, and thermo sensor are still good. Replace them if necessary.
- The transmission is within range and path is clear of obstacles and interference. Shorten the distance if necessary. Then press and hold **SEARCH** again.

**LOW BATTERY WARNING**

There are 3 low-battery indicators - see table.

| UNIT                 |  LOCATION ON MAIN UNIT DISPLAY |
|----------------------|---|
| Main                 | Indoor Temperature Area   |
| Remote Thermo Sensor | Outdoor Temperature Area  |
| Rain Gauge           | Total Rainfall Area   |

Replace the batteries immediately when the respective indicator lights up.

**CLOCK / CALENDAR SETTING**

Press **TIME / SET** to toggle among today's rainfall, time, date, and year.

**SET CLOCK AND CALENDAR**

1. Press **TIME / SET** to display the clock or calendar.
2. Press and hold **TIME / SET** for two seconds.
3. Use ▲ or ▼ to set the desired value.
4. Press **TIME / SET** to confirm.
5. Repeat steps 3 and 4 to complete all settings.
6. The order of the settings is hour, minute, year, month and day.

**RAINFALL**

Today's rainfall appears on the 1st line of the display and total rainfall is shown on the 2nd line. Press **in / mm** to toggle between inches and millimeters as the unit of measurement.

**RAINFALL HISTORY**

The rainfall history is displayed on the 1st line of the LCD display. The main unit can record up to 9 days of rainfall.

Use **HISTORY** to display the record for a particular day. The day of the record will be displayed with a minus (-) sign.

**Caution:** Other sensors using the 433 MHz transmission frequency may influence the rainfall reading. Please avoid placing those sensors too close to the unit.

## TOTAL RAINFALL

The total rainfall is displayed on the 2nd line of the LCD display.

To display the commencing date of the total rainfall record, press **SINCE**. The date will appear on the 1st line of the display. Press again to show the commencing year.

To clear the existing commencing date and reset it to start again, press and hold **SINCE**. The total rainfall will now be equal to the today rainfall and the unit will start again to collect the rainfall data.

## RAINFALL ALARM

The rain alarm value can be displayed at any time by pressing ((•)).

### To set the rainfall alarm:

1. Press and hold ((•)) for two seconds.
2. Use ▲ or ▼ to set the desired value.
3. Press ((•)) to confirm. The alarm will be activated. The rain alarm indicator will light up.

The alarm will go off for one minute when the rainfall reaches the preset value and the rain alarm indicator will flash. A reminder beep will be emitted every minute. Once the rain alarm is on the indicator will not stop flashing unless ▲ is pressed or the rain alarm value is changed. To stop the alarm and reminder beep, press any button or change the rainfall alarm value.

To deactivate the alarm, press ▲.

## TEMPERATURE

The outdoor temperature is displayed on the 3rd line of the LCD display. Use the °C / °F button to select between Centigrade and Fahrenheit display units.

The indoor temperature is displayed on the 4th line of the LCD display. Use the °C / °F button to select between Centigrade and Fahrenheit display units.

## RESET

This button should only be used when the unit is operating in an unfavorable way. Use a blunt stylus to hold down the button. All settings will return to their default values.

## PRECAUTIONS

This product is engineered to give you years of satisfactory service if you handle it carefully. Here are a few precautions:

- Placement of this product on wood surfaces with certain types of finishes, such as clear varnish, may result in damage to the finish. Consult the furniture manufacturer's care instructions for direction as to the types of objects that may safely be placed on the wood surface. Oregon Scientific shall not be responsible for any damage to wood surfaces from contact with this product.
- Do not immerse the unit in water.
- Do not clean the unit with abrasive or corrosive materials. They may scratch the plastic parts and corrode the electronic circuit.
- Do not subject the unit to excessive force, shock, dust, temperature or humidity, which may result in malfunction, shorter electronic life span, damaged battery and distorted parts.
- Do not tamper with the unit's internal components. Doing so will invalidate the warranty on the unit and may cause unnecessary damage. The unit contains no user-serviceable parts.
- Only use fresh batteries as specified in the user's manual. Do not mix new and old batteries as the old ones may leak.
- Oregon Scientific will not be held liable for any bodily injury, death, property damages, or any other claims of whatever nature resulting from the misuse or negligence of the product, whether intentional or unintentional.

- Oregon Scientific will not be responsible for any deviations in the usage of the device from those specified in the user instructions or any or repairs of the product.
- Placement of this product on wood surfaces with certain types of finishes, such as clear varnish, may result in damage to the finish. Consult the furniture manufacturer's care instructions for direction as to the types of objects that may safely be placed on the wood surface. Oregon Scientific shall not be responsible for any damage to wood surfaces from contact with this product.
- Do not dispose this product as unsorted municipal waste. Collection of such waste separately for special treatment is necessary.

**NOTE** Features and accessories will not be available in all countries. For more information, please contact your local retailer.

## TECHNICAL SPECIFICATIONS

| TYPE                                     | DESCRIPTION                                     |
|--|---|
| <b>Main Unit Dimensions</b>              |   |
| L x W x H                                | 90 x 25 x 142 mm<br>(3.54 x 0.98 x 5.59 inches) |
| Weight (without battery)                 | 173 g (6.1 oz)                                  |
| <b>Main unit</b>                         |   |
| Display rainfall range (total)           | 0 - 25,400<br>(0 - 999.99 inch)                 |
| Display rainfall range (history / daily) | 0 - 2,540 mm (0 - 99.99 inch)                   |
| Rainfall resolution                      | 1 mm (0.04 inch)                                |
| Operating range                          | -5°C to +50°C<br>(23°F to 122°F)                |
| Temperature resolution                   | 0.1°C (0.2°F)                                   |
| <b>Remote Rain Gauge (PCR122)</b>        |   |
| Dimensions (L x W x H)                   | 114 x 114 x 145 mm<br>(4.5 x 4.5 x 5.7 inches)  |
| Weight (without battery)                 | 241 g (8.5 oz)                                  |
| Operating range                          | 1.0°C to 60.0°C<br>(33.8°F to 140.0°F)          |
| <b>Remote Thermo Sensor (THN122N)</b>    |   |
| Dimensions (L x W x H)                   | 92 x 60 x 20 mm<br>(3.6 x 2.4 x 0.79 inches)    |
| Weight (without battery)                 | 63 g (2.22 oz)                                  |
| Proposed operating range                 | -30°C to 60°C<br>(-22°F to 140°F)               |

| <b>Power</b>                         |  |
|--------------------------------------|--|
| Main unit                            | 2 x UM-3 / AA 1.5V batteries   |
| Rain gauge                           | 2 x UM-3 / AA 1.5V batteries   |
| Remote thermo sensor                 | 2 x UM-4 / AAA 1.5V batteries  |
| <b>General</b>                       |  |
| RF Transmission Frequency            | 433 MHz  |
| RF Transmission Range (unobstructed) | Rain gauge - 100 meters (328 feet)<br>Remote thermo sensor - 100 meters (300 feet) |
| Temperature sensing cycle            | Around 78 seconds  |
| Rainfall sensing cycle               | Around 94 seconds  |

**NOTE** It is recommended that you use alkaline batteries with this product for longer performance or lithium batteries in temperatures below freezing.

**NOTE** Design and specifications are subject to change without notice.

## ABOUT OREGON SCIENTIFIC

Visit our website ([www.oregonscientific.com](http://www.oregonscientific.com)) to learn more about Oregon Scientific products.

If you're in the US and would like to contact our Customer Care department directly, please visit: [www2.oregonscientific.com/service/support.asp](http://www2.oregonscientific.com/service/support.asp)

For international inquiries, please visit: [www2.oregonscientific.com/about/international.asp](http://www2.oregonscientific.com/about/international.asp)

## EU-DECLARATION OF CONFORMITY

Hereby, Oregon Scientific, declares that this Wireless Rain Gauge with Indoor / Outdoor Thermometer (Model RGR126) is in compliance with the essential requirements and other relevant provisions of Directive 1999/5/EC.

A copy of the signed and dated Declaration of Conformity is available on request via our Oregon Scientific Customer Service.



### COUNTRIES RTTE APPROVAL COMPLIED

All EU countries, Switzerland (CH)  
and Norway (N)

## FCC STATEMENT

This device complies with Part 15 of the FCC Rules.

Operation is subject to the following two conditions: (1) This device may not cause harmful interference, and (2) This device must accept any interference received, including interference that may cause undesired operation.

**WARNING** Changes or modifications not expressly approved by the party responsible for compliance could void the user's authority to operate the equipment.

**NOTE** This equipment has been tested and found to comply with the limits for a Class B digital device, pursuant to Part 15 of the FCC Rules. These limits are designed to provide reasonable protection against harmful interference in a residential installation.

This equipment generates, uses and can radiate radio frequency energy and, if not installed and used in accordance with the instructions, may cause harmful interference to radio communications. However, there is no guarantee that interference will not occur in a particular installation. If this equipment does cause harmful interference to radio or television reception, which can be determined by turning the equipment off and on, the user is encouraged to try to correct the interference by one or more of the following measures:

- Reorient or relocate the receiving antenna.

- Increase the separation between the equipment and receiver.
- Connect the equipment into an outlet on a circuit different from that to which the receiver is connected.
- Consult the dealer or an experienced radio / TV technician for help.

### DECLARATION OF CONFORMITY

The following information is not to be used as contact for support or sales. Please visit our website at [www2.oregonscientific.com/service](http://www2.oregonscientific.com/service) for all enquiries.

#### **We**

Name: Oregon Scientific, Inc.  
Address: 19861 SW 95th Ave., Talatin,  
Oregon 97062 USA  
Telephone No.: 1-800-853-8883

#### **declare that the product**

Product No.: RGR126  
Product Name: Wireless Rain Gauge with  
Indoor / Outdoor Thermometer  
Manufacturer: IDT Technology Limited  
Address: Block C, 9/F, Kaiser Estate,  
Phase 1, 41 Man Yue St.,  
Hung Hom,  
Kowloon,  
Hong Kong

is in conformity with Part 15 of the FCC Rules. Operation is subject to the following two conditions: 1) This device may not cause harmful interference. 2) This device must accept any interference received, including interference that may cause undesired operation.

© 2008 Oregon Scientific. All rights reserved.

P/N:086L003835-096