

# SEARS

## REPAIR PARTS LIST

Model No.

**110.28882790**

(White Color Coordinated)

**110.28884790**

(Almond Color Coordinated)

To Call  
Toll Free  
For Parts:

1-800-366-PART  
(1-800-366-7278)

For Service:

1-800-4-REPAIR  
(1-800-473-7247)



## AUTOMATIC WASHER

The model number of your automatic washer is found on the serial plate located at the rear center of the lid well.

All repair parts listed are available for immediate purchase or special order when you visit your nearest Sears Service Center, or the Service Department at most Sears stores. To order parts by phone, call the toll free parts number listed to the left.

When requesting service or ordering parts, always provide the following information:

- ◆ Product Type
- ◆ Part Number
- ◆ Model Number
- ◆ Part Description

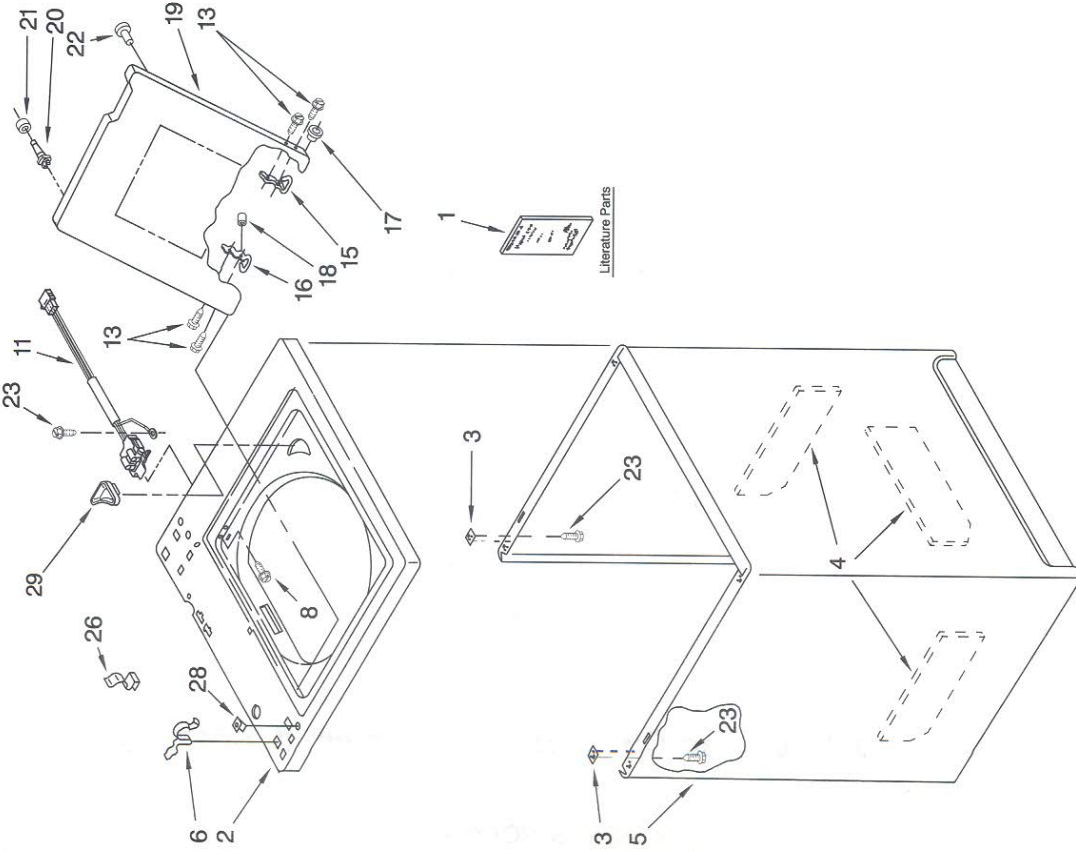
---

**Sears, Roebuck and Co., Hoffman Estates, IL 60179 U.S.A.**

---

# TOP AND CABINET PARTS

For Model: 110.28882790, 110.28882790  
(White C.C.) (Almond C.C.)



# TOP AND CABINET PARTS

For Model: 110.28882790, 110.28882790  
(White C.C.) (Almond C.C.)

Illus. No.	Part No.	DESCRIPTION
1	LIT3950144	Literature Parts Guide, Use And Care
	LIT3950825	Label, Wiring Diagram
	LIT3950634	Energy Guide
	LIT3951763	List, Repair Parts

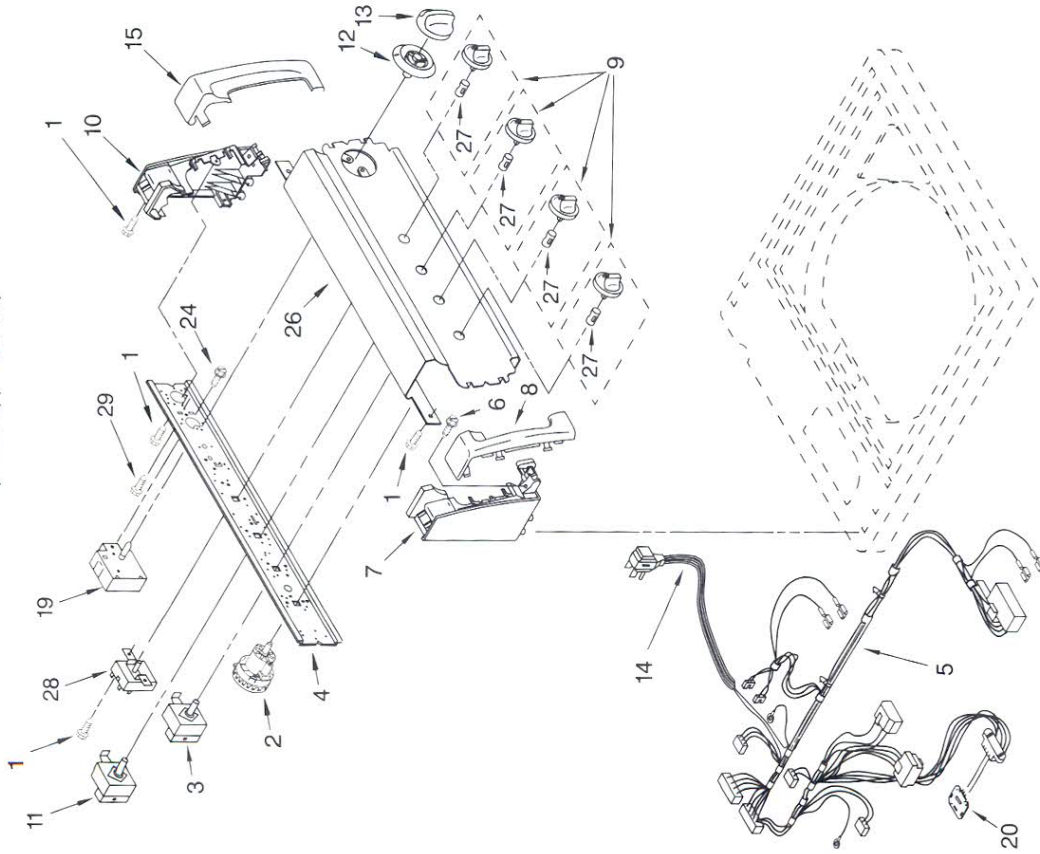
## Following May Be Purchased

### DO-IT-YOURSELF REPAIR MANUALS

LIT4314044	Manual, (Washer) Do-It-Yourself
2	3949955 White Model Top
	3949956 Almond Model Top
3	62750 Spacer, Cabinet To Top
4	3349654 Cabinet-Sound Damper Cabinet
5	63424 White Model Cabinet
	63425 Almond Model Cabinet
6	62780 Clip, Top & Cabinet & Rear Panel (2)
8	3356311 Screw & Washer, Lid Switch
11	3949238 Switch, Lid
13	3351355 Screw, Lid Hinge
15	54584 Mounting (4) Hinge, Lid (Front)
16	54583 Hinge, Lid (Rear)
17	21258 Bearing, Lid Hinge (2)
18	19119 Bumper, Lid Hinge
19	3946616 White Model Lid
	3951522 Almond Model Lid
20	357141 Strike, Lid
21	354255 Bumper, Lid
22	354241 Bumper, Lid
23	384435 Screw, 10-16 X 1/2 (5)
26	90016 Clip (2)
28	357213 Nut, Push-In
29	3362952 Dispenser

# CONTROL PANEL PARTS

For Model: 110.28882790, 110.28882790  
(White C.C.) (Almond C.C.)



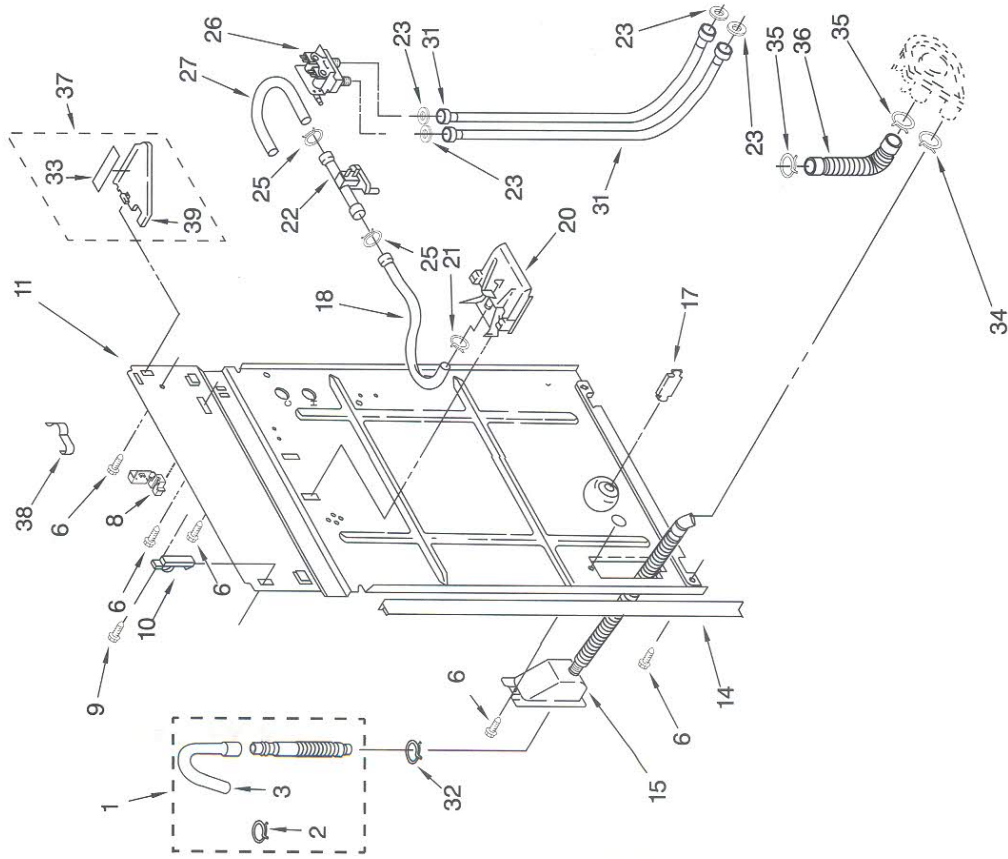
# CONTROL PANEL PARTS

For Model: 110.28882790, 110.28882790  
(White C.C.) (Almond C.C.)

Illus. No.	Part No.	DESCRIPTION
1	90767	Screw, BA x 3/8
2	3366846	Switch, Water
3	661615	Level
4	3948608	Bracket, Control
5	3951213	Harness, Wiring (Includes Power Cord.) (Includes Illus. No 21.) (For Detail See Page 12 & 13.) Also See Clips
6	388326	Screw, Console
7	3949280	Cap, End (L.H.)
8	3949281	Almond Model Trim-Endcap (L.H.) (Includes Item 15)
9	3951013	White Model Trim-Endcap (L.H.) (Includes Item 15)
10	3951014	Almond Model Knob, Control
11	3402572	White Model Knob, Control
12	3402574	Almond Model Cap, End (R.H.)
13	3949274	White Model Cap, End (R.H.)
14	3949275	Almond Model Switch, Rotary
15	661613	Dial And Guard Timer
19	3949428	White Model Knob, Timer
20	3949430	Almond Model Knob, Timer
24	3948412	White Model Cord, Power (Power Cord Only Without Harness)
26	3948414	Almond Model Panel, Console
27	3949248	White Model Knob, Clip
28	3949248	Almond Model Knob, Clip
29	90864	Switch, Rotary

# REAR PANEL PARTS

For Model: 110.28882790, 110.28882790  
(White C.C.) (Almond C.C.)



# REAR PANEL PARTS

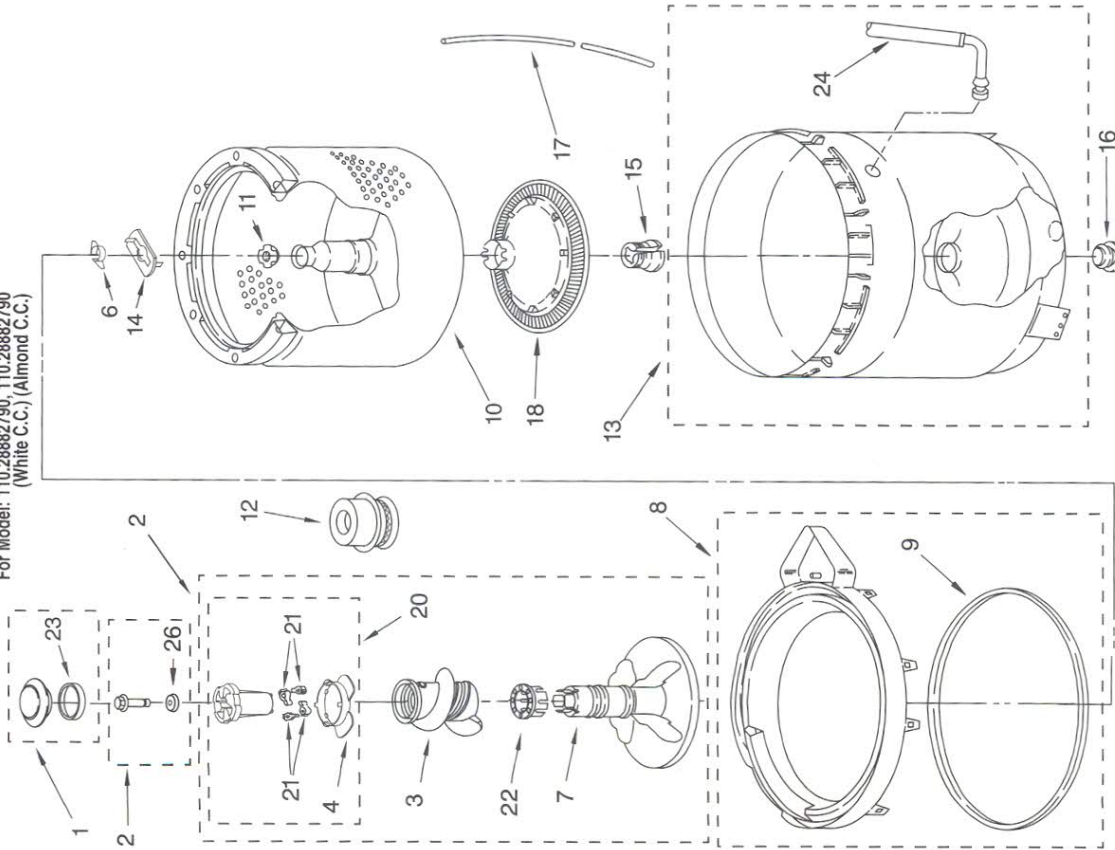
For Model: 110.28882790, 110.28882790  
(White C.C.) (Almond C.C.)

Illus. No.	Part No.	DESCRIPTION
1	3951609	Hose, Drain (4 ft.)
	661577	Hose, Drain (9 ft.)
	3357090	(Not Included.) Extension, Drain Hose (21 Inches) (Not Included)
2	3366913	Clamp, Hose
3	3357027	Nozzle-Drain Hose
6	90864	Screw, 10-24 X 3/8
8	3949468	Relief, Strain (Power Cord)
9	3357011	Screw, Hinge To Panel (10-16 X 1/2)
10	387402	Hinge, Console (2)
11	3356472	Panel, Rear
14	62747	Pad, Rear Panel (2)
15	3361805	Hose-Corrugated Assy.
17	63290	Support, Rear Panel
18	3349365	Hose, Sensor (Upper)
20	387606	Vacuum Break
21	371503	Clamp, Hose
22	3352282	Sensor-ETC-Inline
23	16123	Washer, Inlet Hose
25	370451	Clamp, Hose
26	3360391	Valve, Water Mixing
27	3357319	Hose, Vacuum Break
31	3949368	Hose, Water Inlet (inlet)
	3949369	Hose (inlet)
32	3366912	Clamp, Hose
33	3950829	Shield, Extension
34	660628	Clamp, Hose
35	371504	Clamp, Hose
36	3950340	Hose, Pump To Tub (Includes #35)
37	3950830	Shield, Asm. Suds
38	3347812	Clip, Wiring Harness
39	3348424	Shield, Suds



# AGITATOR, BASKET AND TUB PARTS

For Model: 110.28882790, 110.28882790  
(White C.C.) (Almond C.C.)



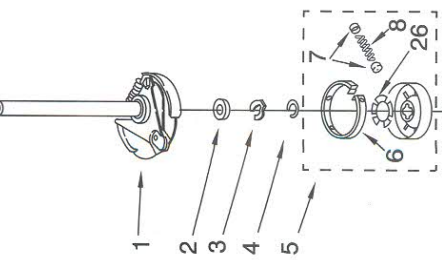
Illus. No.	Part No.	DESCRIPTION
1	3362061	Cap, Agitator
2	3361598	Auger & Agitator (Complete Asy.)
3	3360824	Auger, Agitator
4	3363661	Bearing, Cam Driven
5	358237	Screw & Washer Assembly
6	3354845	Clip, Agitator
7	389386	Agitator Assembly
8	63851	Tub Ring & Gasket
9	3359585	Gasket, Tub Ring
10	3350649	Gasket, Tub Ring Basket And Balance Ring
11	21366	Nut, Spanner
12	63594	Dispenser
13	388893	Tub
14	3355921	Washer, Agitator
15	389140	Block, Basket Drive
16	383727	Gasket, Centerpost
17	3347780	Hose, Pressure Switch
18	3361948	Filter, Plate
20	3363662	Cam-Driven Dog, Agitator
21	3366877	Dog, Agitator
22	3350389	Spacer, Thrust Seal, Agitator
23	358912	Cap
24	3948705	Hose, Bleach
26	3949550	Washer

# AGITATOR, BASKET AND TUB PARTS

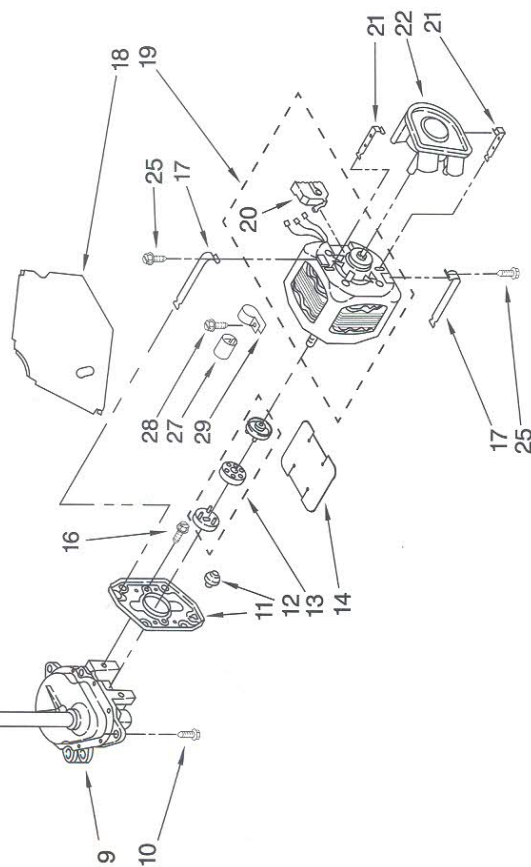
For Model: 110.28882790, 110.28882790  
(White C.C.) (Almond C.C.)

# BRAKE, CLUTCH, GEARCASE, MOTOR AND PUMP PARTS

For Model: 110.28882790, 110.28882790  
(White C.C.) (Almond C.C.)

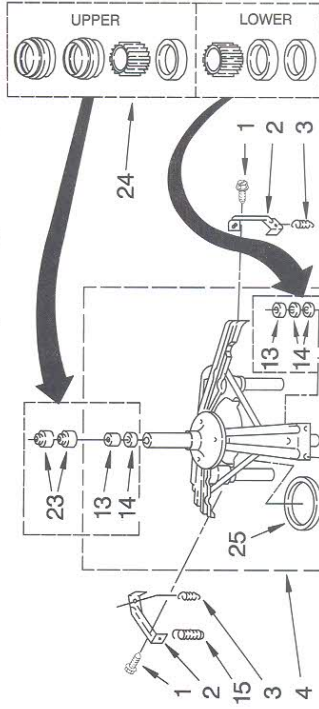


Illus. No.	Part No.	DESCRIPTION
1	388952	Brake & Drive Tube (Complete) (Refer to Page 14 For Further Breakdown)
2	63292	Washer, Spin Tube Thrust
3	62697	Ring, Spin Tube Support
4	63283	Ring, Retainer Clutch (Complete)
5	3951311	Band & Lining, Clutch (Includes Illus. 7 & 8)
6	3951308	Cap, Clutch Spring (2)
7	62646	Spring, Clutch Gearcase (Complete) (Refer to Page 15 For Further Breakdown)
8	3951303	Screw, 10-16 x 3/8
9	3360630	Clamp, Capacitor To Base (3)
10	3357334	Capacitor, Motor Start
11	62611	Plate, Motor Mount To Gearcase
12	62691	Grommet, Motor (4)
13	3864003	Coupling, Motor
14	3946532	Shield, Motor
15	3357334	Screw (2)
16	3349637	Retainer, Motor (2)
17	3362089	Shield, Tub To Motor
18	3352287	Motor, Main Drive
19	62851	Switch, Main Drive Motor
20	62700	Retainer, Pump (2)
21	3963394	Pump (Complete)
22	3387485	Screw, 10-16 x 5/8 (2)
23	3355454	Clip, Anti-Rattle
24	3348058	Capacitor, Motor Start
25	62863	Screw, 10-16 x 3/8
26	357030	Clamp, Capacitor



# MACHINE BASE PARTS

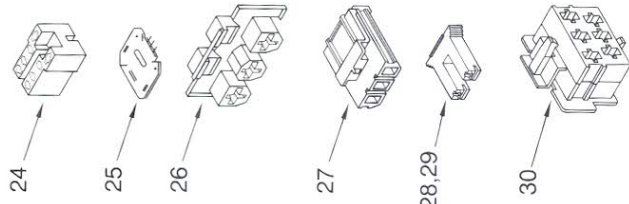
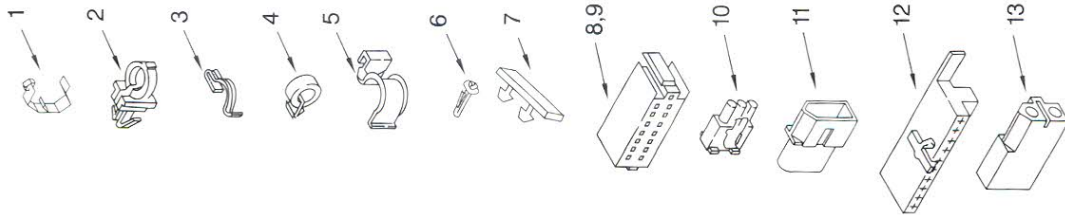
For Model: 110.28882790, 110.28882790  
(White C.C.) (Almond C.C.)



Illus. No.	Part No.	DESCRIPTION
1	3387485	Screw, Bracket Mounting (10-16 x 5/8)
2	64067	Bracket, Spring Outer (2)
3	63907	Spring, Suspension (3)
4	3362087	Support & Brake, Tub
5	64065	Bracket, Spring Outer (L.F.)
6	3348727	Link, Leveling Mechanism (2)
7	62597	Spring, Leveling Mechanism
8	62837	Pin, Knurled
9	62596	Foot, Rear (2)
13	3347047	Bearing, Centerpost (2)
14	357409	Seal, Centerpost (3)
15	388492	Spring, Counterweight
16	62568	Pad, Plate
17	3946509	Plate, Suspension
18	3363660	Pad, Base
19	3946512	Base Assembly (Includes Illus. 3, 6, 7, 8, 9, 18 & 26)
21	3359452	Nut, 3/8-16
22	389102	Foot, Front (2)
23	356934	Seal, Centerpost
24	285203	Centerpost Bearing Kit (Includes Illus. 13, 14 & 23)
25	63134	Ring, Sound Deadening Retainer
26	63806	Suspension Spring (3)

## WIRING HARNESS PARTS

For Model: 110.28882790, 110.28882790  
(White C.C.) (Almond C.C.)



## WIRING HARNESS PARTS

For Model: 110.28882790, 110.28882790  
(White C.C.) (Almond C.C.)

Illus. No.	Part No.	DESCRIPTION	Illus. No.	Part No.	DESCRIPTION
1	3349557	Clip, Harness	13	3348075	Block, Disconnect (Motor 3 Speed) (Use Term. 94613 Or 94614.)
2	388498	Clip, Harness	14	3347243	Block, Disconnect (Use Term. 352088)
3	3347812	Clip, Harness	15	63523	Protector
4	3352501	Clip, Harness	16	717252	Connector (2-Way)
5	90016	Clip, Harness	17	387566	Plug, Terminal (Use Term. 94614) (4-Way)
6	3390496	Clip, Harness	18	3352944	(Power Cord) Clip, Harness (Use M3 Screws)
7	389379	Retainer, (Suds Models)	19	3390423	Block, Disconnect (12-Way) (Timer) (Use Term. 94613)
8	352090	Timer, Block (White)	20	3347730	Receptacle (6-Way) (Use Term. 94613)
9	352089	Timer, Block (Black)	21	388818	Plug, Terminal (Use Term. 94613) (12-Way)
10	62889	Receptacle, Terminal (3-Way) (Lid Switch) (Use Term. 94614.)	22	3948615	Connector (T.P.A.) (6-Circuit) (Temp. Switch) (Use Term. 3948619) (OR 3948620.)
11	353424	Plug, Terminal (3-Way) (Power Cord) (Use Term. 94613)			
12	62505	Block, Disconnect (Motor, 2 Speed) (Use Term. 352088)			
22	3369366	Timer, Block Disconnect (Black) (Amp) (Use Term. 3369365)	23	3349494	Connector, Relay (Use Term. 308569 Or 338664.)
23	3349494	Connector, Relay (Use Term. 308569 Or 338664.)	24	60687	Connector, Relay (Use Term. 308569 Or 338664.)
24	60687	Connector, Relay (Use Term. 308569 Or 338664.)	25	3407125	E.T.C. Control Connector (T.P.A.) (3-Circuit) (Lid Switch) (Use Term. 3948619) (OR 3948620.)
25	3407125	E.T.C. Control Connector (T.P.A.) (3-Circuit) (Lid Switch) (Use Term. 3948619) (OR 3948620.)	26	3948617	Connector (T.P.A.) (3-Circuit) (Pressure Switch) (Use Term. 3948619) (OR 3948620.)
26	3948617	Connector (T.P.A.) (3-Circuit) (Pressure Switch) (Use Term. 3948619) (OR 3948620.)	27	3360056	Connector (T.P.A.) (3-Circuit) (Pressure Switch) (Use Term. 3948619) (OR 3948620.)
27	3360056	Connector (T.P.A.) (3-Circuit) (Pressure Switch) (Use Term. 3948619) (OR 3948620.)	28	3354925	Block, Connector (Cold Valve) (Use Term. 693217)
28	3354925	Block, Connector (Cold Valve) (Use Term. 693217)	29	3354926	Block, Connector (Hot Valve) (Use Term. 693217)
29	3354926	Block, Connector (Hot Valve) (Use Term. 693217)	30	3948615	Connector (T.P.A.) (6-Circuit) (Temp. Switch) (Use Term. 3948619) (OR 3948620.)

FOR COMPLETE WIRING HARNESS REFER TO  
CONTROL AND REAR PANEL PARTS PAGE

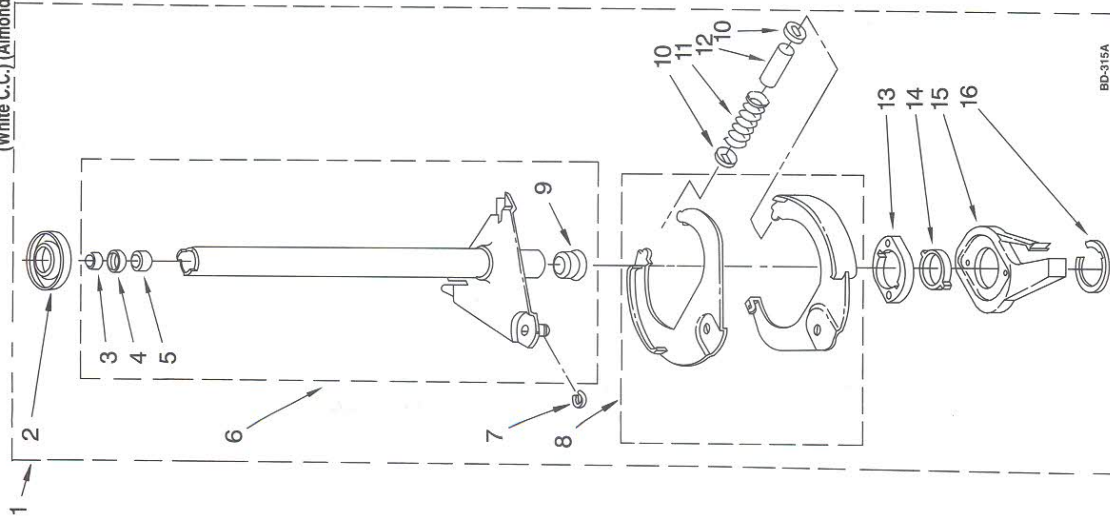
WH2F

WH2F



## BRAKE AND DRIVE TUBE PARTS

For Model: 110.28882790, 110.28882790  
(White C.C.) (Almond C.C.)



Illus. Part No.	DESCRIPTION
1	Brake And Drive Tube (Complete)
2	Ring, Thrust
3	Seal, Oil
4	Seal, Drive Tube
5	Spacer, Drive Tube
6	Tube, Basket Drive (Includes Illus. 3, 4, 5 & 9)
7	Ring, Retaining
8	Shoe, Brake
9	"T" Bearing, Spin Tube
10	Cap, Brake
11	Spring, Brake
12	Spring, Brake
13	Sleeve, Brake
14	Cam, Brake
15	Release Sleeve, Cam Driver, Brake
16	Cam Ring, Retaining

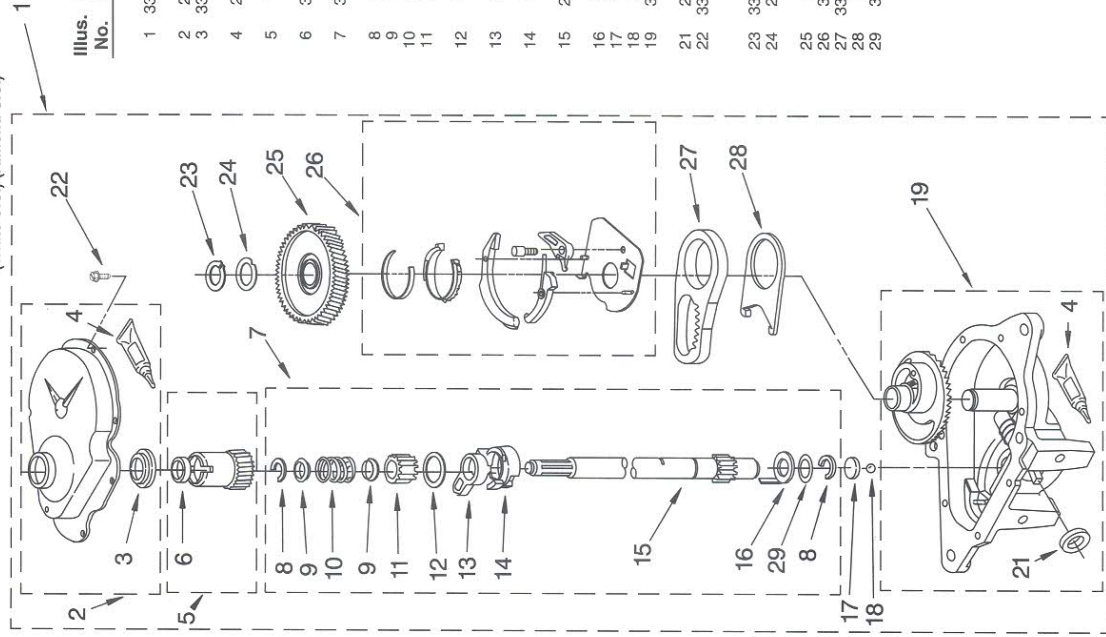
### FOLLOWING PARTS NOT ILLUSTRATED

285208 Lubricant (Use Only In Brake Shoe Assembly, On Roller & Pin)

BD-315A

## GEARCASE PARTS

For Model: 110.28882790, 110.28882790  
(White C.C.) (Almond C.C.)



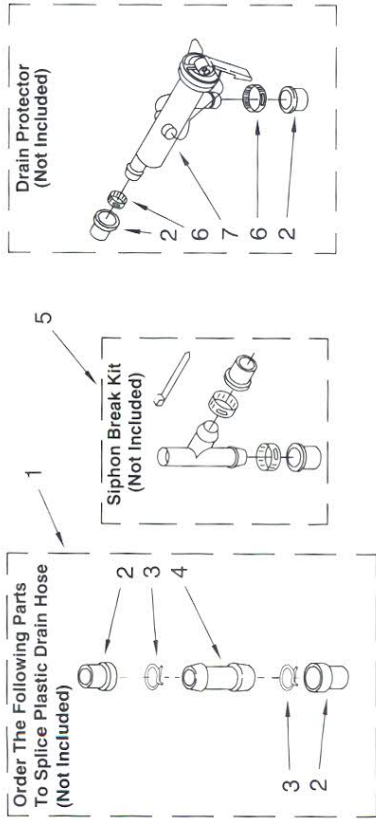
Illus. Part No.	DESCRIPTION
1	Gearcase (Complete)
2	Cover, Gearcase
3	Seal, Gearcase
4	Sealer, Gasket (20 Fl. Oz.) (6 ml)
5	Pinion, Spin (Includes Illus. 25)
6	Seal, Spin
7	Pinion Shaft, Agitator (Complete)
8	Ring, Retaining (2)
9	Retainer, Spring
10	Spring, Agitate
11	Gear, Agitate (Includes 15 and 29)
12	Washer, Agitate
13	Gear
14	Cam Follower (Includes 14)
15	Cam, Agitate (Includes 13)
16	Washer, Agitate
17	Washer, Cam Thrust
18	Bearing, Thrust
19	Bottom and Pinion, Gearcase
20	Seal, Thrust Plug
21	Screw, Gearcase (10-24 x 3/8)
22	Cover, Mounting (6)
23	Ring, Retaining
24	Washer Kit, Thrust
25	Gear, Spin
26	Neutral Assembly
27	Rack, Connecting
28	Actuator, Shift
29	Washer, Intermediate

GC-215C



## WATER SYSTEM PARTS

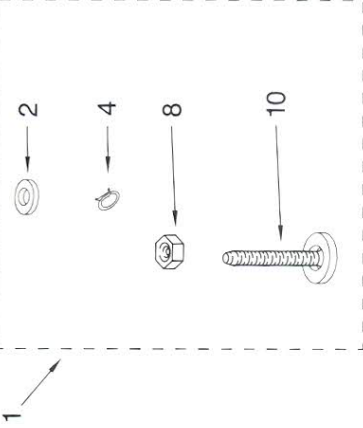
For Model: 110.28882790, 110.28882790  
(White C.C.) (Almond C.C.)



WS400

## MISCELLANEOUS PARTS

For Model: 110.28882790, 110.28882790  
(White C.C.) (Almond C.C.)



Illus. No.	Part No.	DESCRIPTION
1	3976252	Miscellaneous Parts Bag
2	16123	Washer, Inlet
4	3366912	Hose (1-1/16 x 5/8) (4)
8	3359452	Clamp, Hose
10	389102	Nut, 3/8-16

## LITERATURE AND OPTIONAL PARTS

Illus. No.	Part No.	DESCRIPTION
1	285442	Connector Kit, Plastic Drain Hose
2	285321	Sleeve Kit, (Contains 2 Sleeves)
3	370447	Clamp, Hose Connector, Straight
4	16272	Siphon Break Kit, (Not Included)
5	285320	Clamp, Hose Drain Protector (Not Included)
6	65349	Drain Protector (Not Included)
7	367031	

Illus. No.	Part No.	DESCRIPTION
<b>PAINT, TOUCH-UP (1/2oz.)</b>		
	72017	White
	72107	Almond
	72110	Golden Wheat
<b>PAINT, PRESSURIZED SPRAY (13 oz.)</b>		
	350938	Primer, Gray
	350930	White
	350956	Almond
	261890	Golden Wheat

Illus. No.	Part No.	DESCRIPTION
<b>PAINT, BULK (1 qt.)</b>		
	799344	White (Uncut)
	978883	Almond (Uncut)
	261891	Golden Wheat (Uncut)
<b>OIL</b>		
	350572	Oil, Gearcase (16 Oz.)
<b>LUBRICANT</b>		
	285208	Lubricant (Use Only in Brake Shoe Assembly On Roller and Pin)

Illus. No.	Part No.	DESCRIPTION
<b>SEALER</b>		
	285195	Sealer, Gasket (-20 Fl. Oz.) (6 ml)
<b>SHIPPING KIT</b>		
	3348675	Shipping Kit
<b>COUPLING</b>		
	384496	Coupling, Hose

# SEARS

## REPAIR PARTS LIST

When requesting service or ordering parts, always provide the following information:

- ◆ Product Type
- ◆ Model Number
- ◆ Part Number
- ◆ Part Description

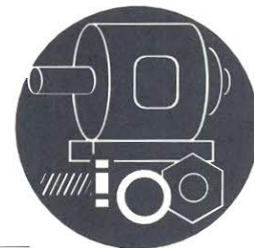
# Kenmore

For the repair or replacement parts you need

Call 7 am - 7 pm, 7 days a week

**1-800-366-PART**

(1-800-366-7278)



For in-home major brand repair service

Call 24 hours a day, 7 days a week

**1-800-4-REPAIR**

(1-800-473-7247)



For the location of a  
Sears Repair Service Center in your area

Call 24 hours a day, 7 days a week

**1-800-488-1222**



For information on purchasing a Sears  
Maintenance Agreement or to inquire  
about an existing Agreement

Call 9 am - 5 pm, Monday-Saturday

**1-800-827-6655**



**SEARS**  
**REPAIRSERVICES**  
*America's Repair Specialists*

Sears, Roebuck and Co., Hoffman Estates, IL 60179 U.S.A.