

**GOOLOO**

# Welcome Guide

Multi-function Car Jump Starter

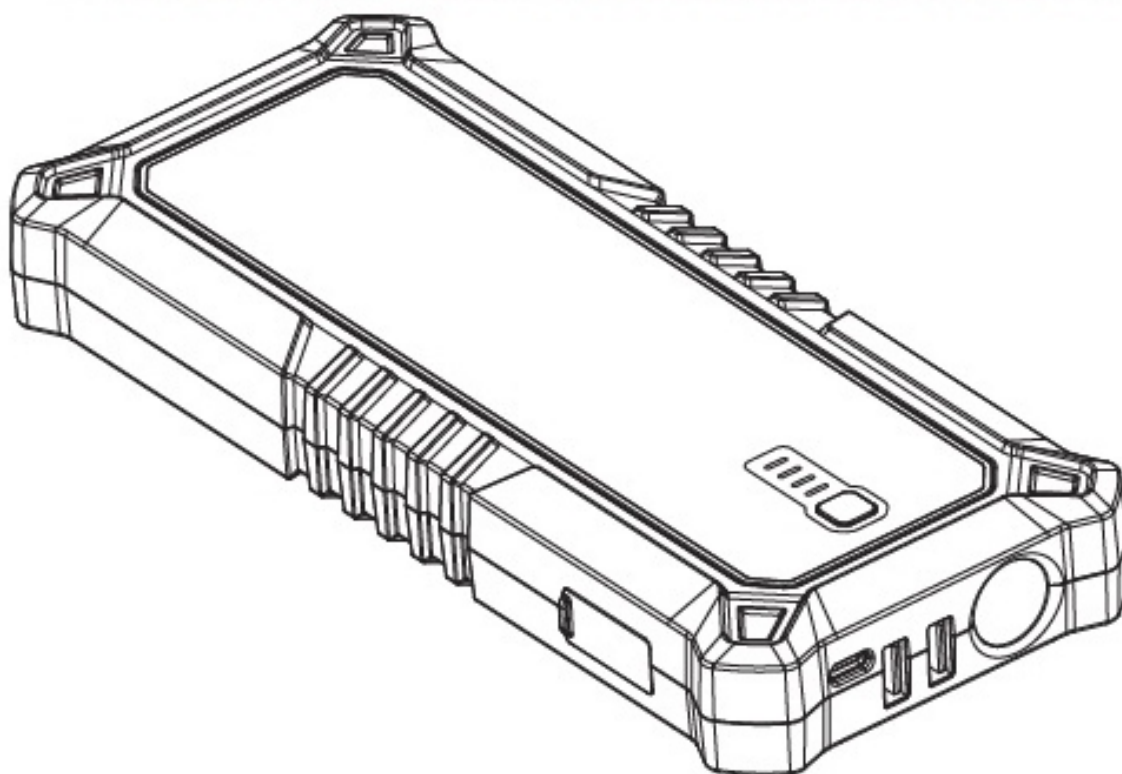
G1500

Manual



[www.goolobox.com](http://www.goolobox.com)

Thank you for choosing the GOOLOO!  
Always follow basic safety precautions  
when using electrical appliances. Read  
all instructions carefully. Please keep  
this instruction manual for easy reference.



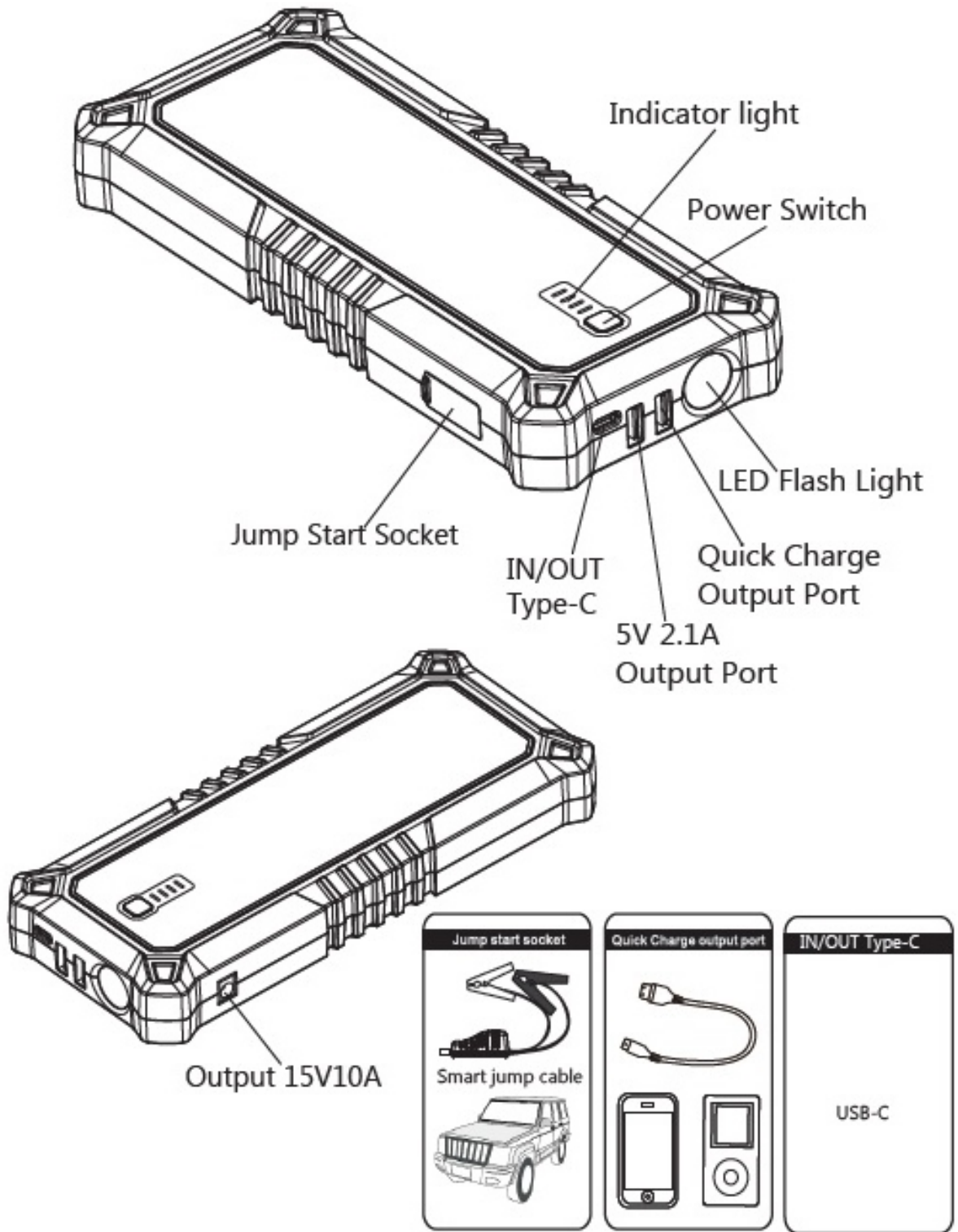
SUPERSAFE

# SUPERSAFE

JUMP STARTER POWER BANK

SUPERSAFE™ is a security protection technology by GOOLOO®

# Product Layout



# Operation Guidance

## Indicator Light:

Press the switch to check the storage level:

Indicator	1 Flashing	1 Solid	2 Solid	3 Solid	4 Solid
Storage Level	0%	25%	50%	75%	100%

The indicator light will flash one by one during the period of charging. Different numbers of solid indicators show different storage level of G1500. All indicators light will go off automatically, when the charging is paused or completed.

## How to Charge

1. Connect the Type-C cable with a cigarette car adapter or a wall charger.
2. Connect the Type-C connector to the host.

**(Note:** Both the car charger and home charger can charge the host. The car charger should be separately bought)



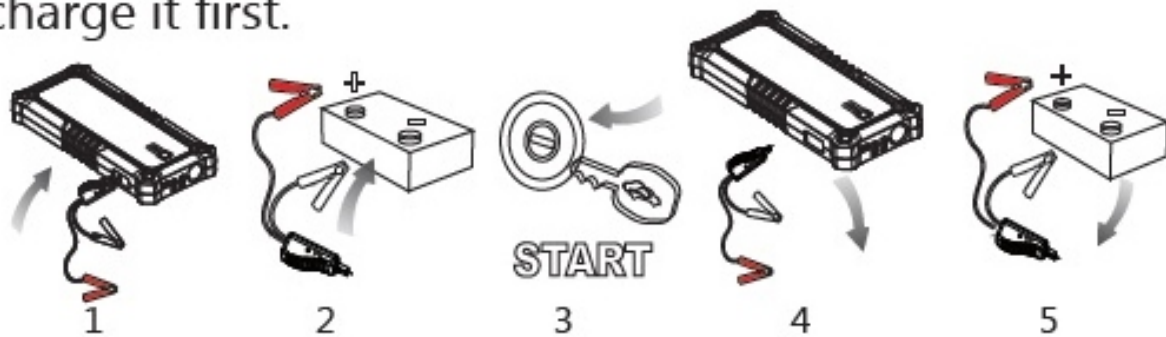
or



## How to Jump Start a Vehicle

Make sure it is over 60% charged.

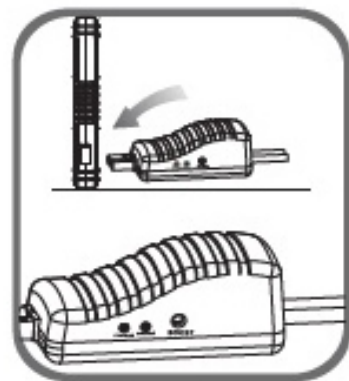
If have not use it more than two months, should charge it first.



1. Connect the smart cable plug to jump starter .
2. Red clamp connect "+", black clamp connect "-".
3. Start the vehicle.
4. Remove the plug from the jump starter.
5. Remove the clamp from the battery.

## How to Use the Smart Cable

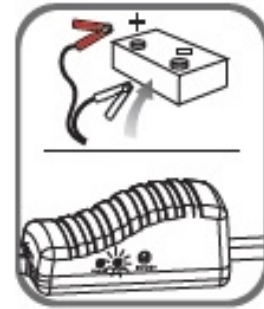
Connect the blue plug fully seated into the host, and make sure the Cable Indicator is off.



Operate following the instruction of the Cable Indicator:

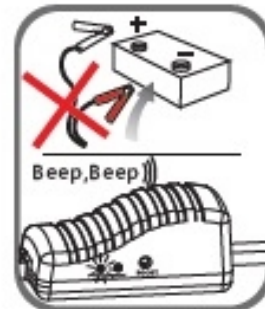
### 1. Green Light On:

The connection is correct and the circuit is working, you can turn on the engine to boost directly.



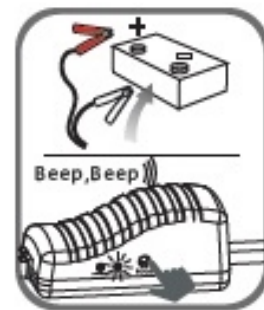
### 2. Red Light On with Buzzing:

The connection is wrong, **DO NOT** start the engine, and must reconnect it properly as step 2 mentioned above, until the Green Light light.



### 3. Green Light Blinking with Buzzing:

The vehicle battery is low, press the "BOOST" button, wait for the Green Light stability, then start the engine within 30s.



### 4. No Lights on, No buzzing:

The vehicle's battery maybe damaged, confirm the clamps connection, press the "BOOST" button, wait for the Green Light stability, then start the engine within 30s.



## How to Switch the LED Light

1. Press the LED Switch 3 seconds to start the LED light.

2. Press slightly to switch 3 lighting mode:  
Flash light, Strobe light, SOS Signal flash.
3. Turn off the light also use this switch.

## Parts List

#	Part Name	Quantity
1	Host	1
2	Type-C to Type-C cable	1
3	USB To Type-C Cable	1
4	Smart Jumper Cable	1
5	Quick Charge Wall Charger	1
6	Kit Bag	1
7	User Manual	1

# Technical Specification

Input:	Type-C 15W(5V/3A)
Output:	Type-C 15W(5V/3A),Quick charge(5V/2.4A, 9V/2A,12V/1.5A),5V/2.1A,15V/10A
Capacity:	19800mah/73Wh
Starting Current:	500A
Peak Current:	1500A
Size:	228*99.5*33mm
Weight:	630g
Operating Temp.	-20°C ~60°C/-4°F ~140°F
Lifetime	>1000 cycles
Full Charging Time:	5-6Hours



# Trouble Shooting

Finding	Cause	Remedies
No response when pressing the switch button.	Low voltage protection is started.	Plug the adapter into input port to activate the device.

# Toxic and Harmful Substances

Composition and amount of toxic or harmful substance in G1500					
Pb	Hg	Cd	Cr(Vi)	PBB	PBDE
0	0	0	0	0	0

Indicate that the content of harmful substances in all homogeneous materials is all lower than the prescribed limit of MCV (the standard 2002/95/EC/RoHs)

# FAQ

Q1: What is GOOLOO® G1500 operating temperature and how to store it?

A: The car jump starter G1500 is lithium-ion, operating temperature is  $-20\sim 60^{\circ}\text{C}$  /  $-4\sim 140^{\circ}\text{F}$ , if the ambient temperature is higher than  $60^{\circ}\text{C}$  /  $140^{\circ}\text{F}$ , the internal instruction of lithium-ion cells will be changed, it may swell and will be unsafe. So DO NOT store it in car for long time, especially in summer.

Q2: How to jump start a car with G1500 ?

- A: 1). Make sure it is over 60% charged. If have not use it more than two months, should charge it first.
- 2). Turn on it and connect the red clamp to "+", the black clamp to "-" end of the car battery.
- 3). When the jump cable indicator turns green (make sure), start your car.
- 4). If the jumper cable indicator does not turn green, turn on the car headlight and wait the indicator turns green, try again to start the car.
- 5). Unplug the jumper cables from the jump starter within 30 seconds, and remove the clamps from your car battery.

Q3: What is the correctly connected of the GOOLOO® G1500 and the car?

A: When the clamps connected to car battery, the jumper cable indicator light shines a steady green light, is the correctly connected. If the light flash red, it's wrong connected.

Q4: What should I do if GOOLOO® G1500 cannot start a car?

A: Recharge and fully charged it, try it again, make sure to wait 10 seconds between each jump attempt. If it still not works, email us: [fiona@gooloo.co](mailto:fiona@gooloo.co).

within 12 months warranty period (Attach your order ID, it is necessary)

Q5: What should I do if the GOOLOO® G1500 cannot be charged?

A: Charge it with both a 15V wall charger and car charger, wait for about whole night. If it still not works, email us: [fiona@gooloo.co](mailto:fiona@gooloo.co), within 12 months warranty period (Attach your order ID, it is necessary)

Q6: What should I do if GOOLOO® G1500 cannot charge other devices?

A: Using a different charging cable to charge again, if it can work, must the cable defective, email us we will provide you a new cable, if is still not work, email us: [fiona@gooloo.co](mailto:fiona@gooloo.co), within 12 months warranty period (Attach your order ID, it is necessary)

Q7: Can the GOOLOO® G1500 charge other devices while it is being charged?

A: No.

Q8: Can GOOLOO® G1500 charges other devices while starting a car?

A: No.

Q9: How long the storage of battery will remain?

A: 6-12 months, however, we suggest to recharge it every 3 months.

# Warning

1. Read the instruction manual carefully before using this unit.
2. Jump for 12V vehicles only, it would be hazard if for other jumping. It is forbidden to use for other machines such as aircraft, ship and so on.
3. Caution while using this unit.
4. Do Not use this unit if any cable clamp or cord is damaged.
5. Do Not use in place of a vehicle battery.
6. Do Not use as a battery charger.
7. Do Not remain the unit on car battery after cranking the car success.
8. Use the jumper cable provided with this unit only.
9. Make sure the blue plug of the jump cable is plugged fully into the jumping socket, otherwise, the blue plug would be melted.
10. Make sure all the battery connections are clean before jump starting, and make sure the battery clamps are well connected. If the battery terminals on the vehicle are dirty or corroded, the power of the unit will be lessened.
11. Do Not jump start more than 3 times in a row. It could damage the unit by overheated. Give two minutes between attempts. The jumping cable can become overheated and detach as a safety measure.

12. Remove the product from the vehicle battery within 30 seconds after jump start the engine. If not, it could lead to damage.
13. Do Not connect the two clamps together.
14. Only jump start when 3 to 4 indicator lights are illuminated.
15. Do Not use by young or infirm persons without supervision.
16. Do Not use as a toy.
17. Do Not allow the product to become wet.
18. Do Not immerse the product in water.
19. Do Not operate the product in explosive atmospheres, such as in the presence of flammable liquids, gases or dust.
20. Do Not modify or disassemble the unit. Only a repair technician may repair this unit.
21. Do Not expose product to extreme heat or fire.
22. Make sure someone should be within range of your voice or close enough to come to your aid when working with batteries.
23. Remove personal metal items like rings, bracelets, necklaces, etc, when using the unit.
24. Do Not drop unit. If unit received a sharp blow or is damaged in any other way, check it by a qualified battery technician.
25. Do Not store in locations where the temperature may exceed 70°C

26. Charge only at ambient temperature between 0°C and 60°C.
27. Charge only using the charger provided with this unit.
28. Do Not use the unit to jump start a vehicle while charging the internal battery.
29. If this unit is leaking liquid dispose of at proper recycle facility immediately.
30. Under extreme conditions, the battery may leak. If a liquid is leaking from the unit Do Not handle with bare hands. In case of skin contact wash with soap and water immediately. If the liquid contacts to eyes, rinse eyes with cold running water for at least 10 minutes and get medical treatment immediately.
31. The unit contains the lithium based batteries, at end of the product life, dispose the unit according to local regulation.

## Warranty Information

1. We offer a limited warranty for this product against any defects in material and workmanship for a period of 12 months from the purchase date by the end user/consumer. The conditions of the warranty are as follows:

2. The warranty is only valid upon presentation of the original receipt (from dealer/retailer) by the original purchaser with the product to be repaired or replaced.
3. The warranty is void if the serial number, date of purchase and label has been removed.
4. The warranty does not cover damage or product failure resulting from normal wear and tear, physical abuse, improper installation, misuse, modification or repairs by unauthorized third parties.
5. We do not assume responsibility for any loss or damage incurred during shipment or as a result of a force majeure.
6. We are not liable for any incidental or consequential damages arising from the use or misuse of this product.
7. All warranty claims are limited to repair or replacement of the defective product and at the sole discretion of us.
8. If we repair or replace the product, the product will be covered for the remaining time of the original warranty period. Repair or replacement may involve the use of reconditioned units which are equivalent in function. Replaced part or product becomes the property of us.
9. Consumable components such as batteries are not covered by the warranty.



# Attention



Do Not Submerge In Water



Do Not Disassemble



Do Not Dropping



Advoid Extreme Temperatures



Do Not Place Near or Into Fire



Overcharge/discharge  
Protection



Fuse Protection



Against-reverse  
Plug

Applied Standard: GB/T 18278-2000



# Customer Service



12-Month Limited Warranty



Lifetime Technical Service



Feel Free to Contact Us

[fiona@gooloo.co](mailto:fiona@gooloo.co)




For FAQ and More Information

[www.goolobox.com](http://www.goolobox.com)


---

 @gooloofans

 @+Gooloofans

 @gooloo-tech

 @GoolooOfficial

 @mygooloo

 gooloo

**GOOLOO**

Thank You  
for Choosing !

Made in China